

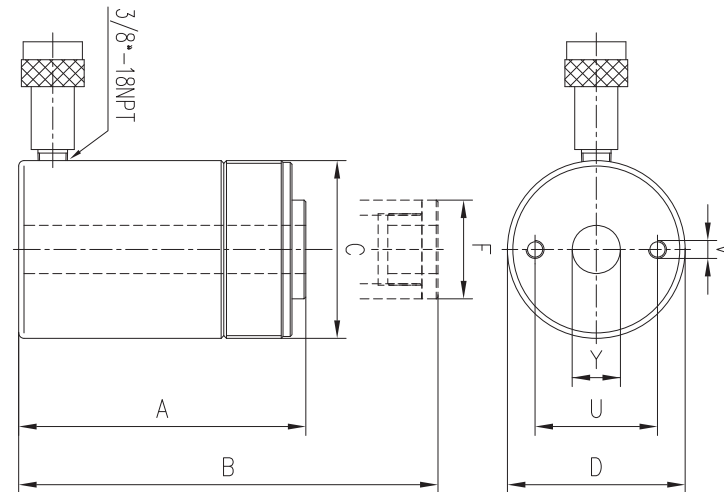
Features

1. Hollow plunger design allows for both push and pull forces
2. Complies to ASME B-30.1. High strength alloy steel for durability and added safety
3. Single acting spring return
4. High quality 3/8-18NPT quick couplings
5. Collar threads, plunger threads for easy fixture
6. Baked enamel finish for corrosion resistance



PSHC Specifications

Capacity @ 700 bar tonne	13				20		30		60		100
Stroke mm	8	42	42	76	49	155	64	155	76	153	76
Product Code	PSHC120	PSHC121	PSHC1211	PSHC123	PSHC202	PSHC206	PSHC302	PSHC306	PSHC603	PSHC606	PSHC1003
Cylinder Effective Area cm ²	18.4				32.8		48		87.4		135.2
Oil Capacity cm ³	14.7	77.3	77.3	140	161	508	307	744	664	1337	1082
Collapsed Height A mm	55	120	120	184	162	306	179	330	247	323	254
Extended Height B mm	63	162	162	260	211	461	243	485	323	476	330
Outside Diametre D mm	69	69	69	69	99	99	114	114	159	159	212
Centre Hole Diametre Y mm	19.6				26.9		33.3		53.8		79
Bolt Centres U mm	50.8	-	-	50.8	82.5	82.5	92.2	92.2	130.3	130.3	177.8
Thread V	5/16"-18	-	-	5/16"-16	3/8"-16				1/2"-13		5/8"-11
Thread Depth	9.0	-	-	12.7	9.4	9.4	14.0				19.0
Weight kg	1.5	2.8	2.8	4.4	7.7	14.1	10.9	21.8	28.1	35.4	59.9



The information contained in this brochure is to be used as a guide only, specifications are subject to change without notice.