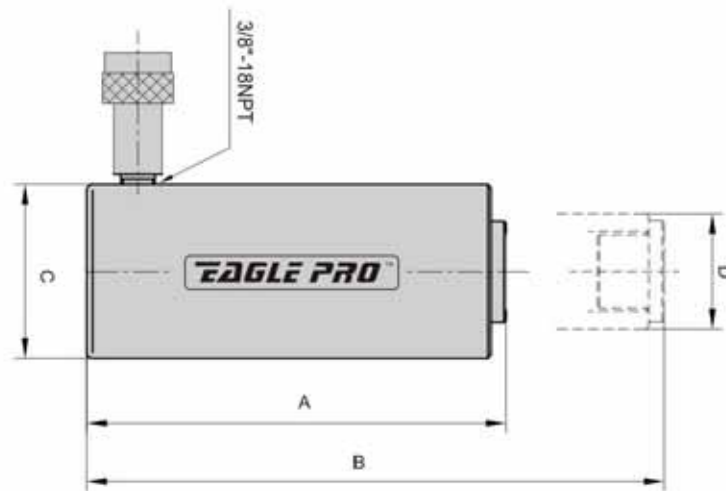


Features

1. Light weight, easy to transport
2. High strength aluminium material - corrosion resistant
3. Used in extreme conditions
4. Single Acting spring return



PSA Series Single Acting Aluminium Cylinders



Capacity @ 700 bar tonne	20			30			55			100	
Stroke mm	53	104	156	54	104	156	54	105	155	54	159
Product Code	PSA202	PSA201	PSA206	PSA302	PSA304	PSA306	PSA552	PSA554	PSA556	PSA1002	PSA1006
Oil Capacity cm ³	154	299	444	227	440	653	367	745	1110	718	2116
Effective Area cm ²	28.5			42			71			133	
Collapsed Height A mm	162	213	263.5	187	238	288	171	222	273	197	298.5
Extended Height B mm	215	217	419	241	342	444	225	327	428	251	457.5
Outside Diametre C mm	95.3			108			133.5			187.4	
Piston Rod diametre D mm	50.8			63.5			79			104.8	
Weight kg	3.5	4.3	5.2	5.1	5.9	6.8	7.4	9.1	11.1	15.2	22.8

The information contained in this brochure is to be used as a guide only, specifications are subject to change without notice.

Head Office
Brisbane

24 Foundry Road Seven Hills NSW 2147 P +61 2 8825 6900 F +61 2 8825 6999
Unit 5, 54 Nealdon Drive Meadowbrook QLD 4131 P +61 7 3170 3800 F +61 7 3170 3811

Perth
Auckland

Unit 1, 31 Colin Jamieson Drive Welshpool WA 6106 P +61 8 6253 1000 F +61 8 9458 9840
11 Druces Road Manukau City South Auckland P+ 64 9263 5566 F + 64 9263 5567