

Features PHP Series Hand Pump

1. Steel construction for wear and corrosion resistance
2. Compact design for storage and transportation
3. Lower handle effort to minimise operator fatigue
4. Internal pressure relief valve for overload protection
5. Powers a wide range of hydraulic equipment



Single Acting Hand Pump



Double Acting Hand Pump



Ultra High Pressure Hand Pump

Features PHP Series Ultra High Pressure Hand Pump

1. Alloy construction - Lightweight, corrosion resistant and suitable for harsh environments
2. Two speed action with automatic changeover
3. During low pressure a greater flow is provided to save the operating time which will increase working efficiency
4. Built in safety valve provides safe dual protection

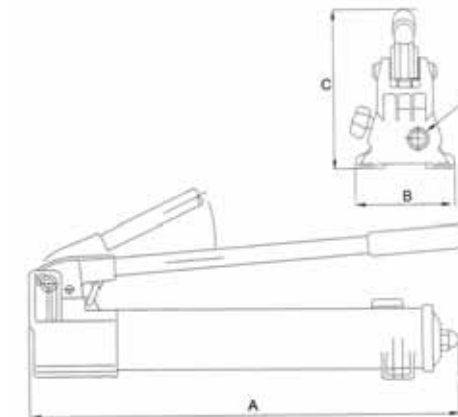
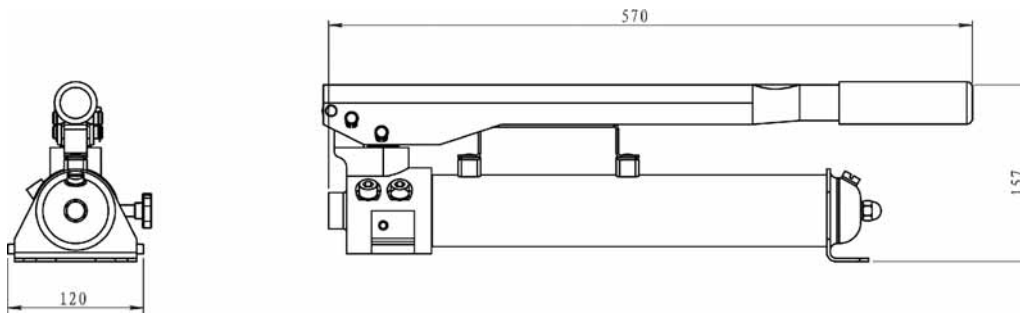
Specifications

PHP Series

Product Code	PHP001	PHP002		PHP003	PHP004		PHP204	
Speed	Slow	Quick	Slow	Slow	Quick	Slow	Quick	Slow
Pressure bar	700	14	700	700	14	700	14	700
Pump Stroke cm	20							
Pump Effective Area cm ²	1.53	6.15	1.53	1.53	6.15	1.53	6.15	1.53
Oil output per stroke cm ³	3.08	12.3	3.08	3.08	12.3	3.08	12.3	3.08
Oil Capacity cm ³	820	820		2300	2300		5000	
Handling Force kg	58							
Output Thread	3/8NPTF							
Net Weight kg	4	4		4	4		27.8	

PHP Series, Ultra High Pressure

Product Code	PHP504
Usable Oil Capacity cm ³	1600
Pressure Rating bar	Stage one 20 Stage two 1500
Oil Displacement per stroke cm ³	Stage One 32 Stage Two 1.6
Dimensions A mm	577
B mm	120
C mm	170
Oil Port Thread	1/4"
Net Weight kg	6.2



The information contained in this brochure is to be used as a guide only, specifications are subject to change without notice.