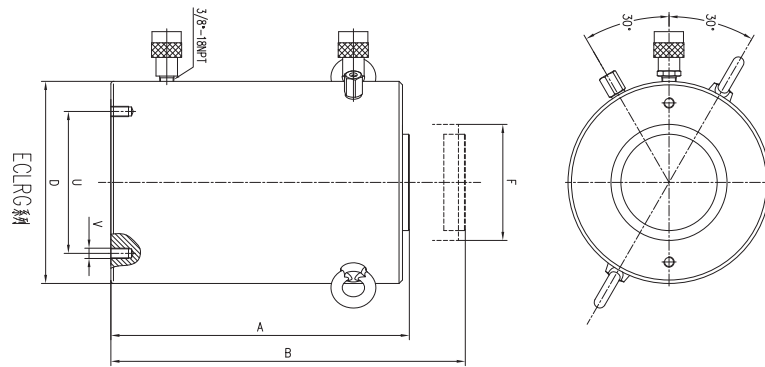


Features

1. Complies to ASME B-30.1. High strength alloy steel for durability and added safety
2. Base mounting holes for easy fixture
3. Handle lock and mounting holes on top and collar for ease of carrying
4. High quality 3/8-18NPT quick couplings
5. Baked enamel finish for corrosion resistance



PDTC Specifications

| | | | | | | | | | | | | | | | | | | | | | |
|----------------------------|----------|----------|-----------|----------|----------|-----------|----------|----------|-----------|----------|-----------|-----------|----------|----------|-----------|----------|-----------|-----------|-----------|-----------|-------------|
| Capacity @ 700 bar tonne | 50 | | | | | | 100 | | | | | | 150 | | | | | | 200 | | |
| Stroke mm | 50 | 100 | 150 | 200 | 250 | 300 | 50 | 100 | 150 | 200 | 250 | 300 | 50 | 100 | 150 | 200 | 250 | 300 | 50 | 150 | 300 |
| Product Code | PDTC502 | PDTC504 | PDTC506 | PDTC508 | PDTC5010 | PDTC5012 | PDTC1002 | PDTC1004 | PDTC1006 | PDTC1008 | PDTC10010 | PDTC10012 | PDTC1502 | PDTC1504 | PDTC1506 | PDTC1508 | PDTC15010 | PDTC15012 | PDTC2002 | PDTC2006 | PDTC20012 |
| Cyl Capacity tonne Advance | 50 | | | | | | 100 | | | | | | 150 | | | | | | 200 | | |
| Retract | 29 | | | | | | 48 | | | | | | 75 | | | | | | 98 | | |
| Effective Area cm2 Adv | 78.5 | | | | | | 132.7 | | | | | | 201 | | | | | | 268.7 | | |
| Retract | 40 | | | | | | 61.9 | | | | | | 97.1 | | | | | | 125.6 | | |
| Oil Capacity Cm3 Adv | 392.5 | 785 | 1177.5 | 1570 | 1962.5 | 2355 | 664 | 1327 | 1991 | 2655 | 3318 | 3982 | 1005 | 2010 | 3015 | 4020 | 5025 | 6030 | 1344 | 4031 | 8061 |
| Retract | 200 | 400 | 600 | 800 | 1000 | 1200 | 309 | 619 | 928 | 1237 | 1546 | 1856 | 485.5 | 971 | 1456.5 | 1942 | 2427.5 | 2913 | 628 | 1884 | 3768 |
| Collapsed Height A mm | 162 | 212 | 262 | 312 | 362 | 412 | 179 | 229 | 279 | 329 | 379 | 429 | 196 | 246 | 296 | 346 | 396 | 446 | 212 | 312 | 462 |
| Extended Height B mm | 212 | 312 | 412 | 512 | 612 | 712 | 229 | 329 | 429 | 529 | 629 | 729 | 246 | 346 | 446 | 546 | 646 | 746 | 262 | 462 | 762 |
| Outside Diameter D mm | 129 | | | | | | 165 | | | | | | 205 | | | | | | 235 | | |
| Piston Rod Diameter F mm | 70 | | | | | | 95 | | | | | | 115 | | | | | | 135 | | |
| Bolt Centres U mm | 65 | | | | | | 95 | | | | | | 130 | | | | | | 165 | | |
| Thread V | M12 | | | | | | | | | | | | | | | | | | | | |
| Weight kg | 17 | 19.5 | 22 | 25.5 | 29 | 31.5 | 29 | 34 | 40 | 46 | 53 | 79 | 39 | 52 | 65 | 78 | 92 | 105 | 55 | 91 | 146 |
| Capacity @ 700 bar tonne | 250 | | | 300 | | | 400 | | | 500 | | | 600 | | | 800 | | | 1000 | | |
| Stroke mm | 50 | 150 | 300 | 50 | 150 | 300 | 50 | 150 | 300 | 50 | 150 | 300 | 50 | 150 | 300 | 50 | 150 | 300 | 50 | 150 | 300 |
| Product Code | PDTC2502 | PDTC2506 | PDTC25012 | PDTC3002 | PDTC3006 | PDTC30012 | PDTC4002 | PDTC4006 | PDTC40012 | PDTC5002 | PDTC5006 | PDTC50012 | PDTC6002 | PDTC6006 | PDTC60012 | PDTC8002 | PDTC8006 | PDTC80012 | PDTC10002 | PDTC10006 | PDTC1000102 |
| Cyl Capacity tonne Advance | 250 | | | 300 | | | 400 | | | 500 | | | 600 | | | 800 | | | 1000 | | |
| Retract | 118 | | | 117 | | | 150 | | | 192 | | | 229 | | | 300 | | | 420 | | |
| Effective Area cm2 Adv | 362.9 | | | 452.5 | | | 572 | | | 730.2 | | | 854.9 | | | 1163.6 | | | 1451.5 | | |
| Retract | 149.2 | | | 153.7 | | | 188.4 | | | 239.6 | | | 303.6 | | | 384.7 | | | 517.1 | | |
| Oil Capacity Cm3 Adv | 1815 | 5444 | 10887 | 2261 | 6783 | 13566 | 2860 | 7580 | 15160 | 3651 | 10953 | 21906 | 4275 | 12824 | 25647 | 5818 | 17454 | 34908 | 7258 | 21773 | 43545 |
| Retract | 763 | 2289 | 4578 | 769 | 2306 | 4611 | 1055 | 3165 | 6330 | 1198 | 3594 | 7188 | 1518 | 4554 | 9108 | 1924 | 5771 | 11541 | 2586 | 7757 | 15513 |
| Collapsed Height A mm | 235 | 335 | 485 | 322 | 422 | 572 | 374 | 474 | 624 | 419 | 519 | 669 | 429 | 529 | 679 | 484 | 584 | 734 | 564 | 664 | 814 |
| Extended Height B mm | 285 | 485 | 785 | 372 | 572 | 872 | 424 | 624 | 924 | 469 | 669 | 969 | 479 | 679 | 979 | 534 | 734 | 1034 | 614 | 814 | 1114 |
| Outside Diameter D mm | 275 | | | 310 | | | 350 | | | 400 | | | 430 | | | 505 | | | 560 | | |
| Piston Rod Diameter F mm | 165 | | | 200 | | | 215 | | | 250 | | | 265 | | | 320 | | | 345 | | |
| Bolt Centres U mm | 190 | | | 180 | | | 205 | | | 250 | | | 275 | | | 330 | | | 375 | | |
| Thread V | M12 | | | | | | | | | | | | | | | | | | | | |
| Weight kg | 89 | 136 | 207 | 184 | 232 | 303 | 270 | 330 | 421 | 401 | 480 | 599 | 474 | 565 | 701 | 741 | 868 | 1058 | 1062 | 1213 | 1439 |

The information contained in this brochure is to be used as a guide only, specifications are subject to change without notice.

Head Office
Brisbane

24 Foundry Road Seven Hills NSW 2147 P +61 2 8825 6900 F +61 2 8825 6999
Unit 5, 54 Nealdon Drive Meadowbrook QLD 4131 P +61 7 3170 3800 F +61 7 3170 3811

Perth
Auckland

Unit 1, 31 Colin Jamieson Drive Welshpool WA 6106 P +61 8 6253 1000 F +61 8 9458 9840
11 Druces Road Manukau City South Auckland P+ 64 9263 5566 F + 64 9263 5567