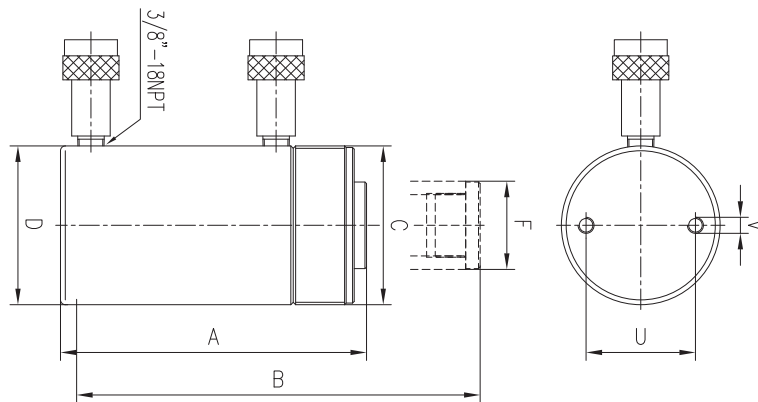


## Features

1. Complies to ASME B-30.1. High strength alloy steel for durability and added safety
2. Double acting operation for fast retraction
3. Built in safety valve prevents over-pressurisation
4. High quality 3/8-18NPT quick coupling
5. Collar threads, plunger threads for easy fixture
6. Baked enamel finish for corrosion resistance



## PDC Specifications

Capacity @ 700 bar tonne		10		30		50			75		100		
Stroke mm		254	305	209	368	156	334	511	156	333	168	333	460
Product Code		PDC1010	PDC1012	PDC308	PDC3014	PDC506	PDC5013	PDC5020	PDC756	PDC7513	PDC1006	PDC10013	PDC10018
Max Cylinder Capacity tonne	Advance	10		30		50			75		100		
	Retract	3.4		5.6		14.2			22.7		42.5		
Cylinder Effective Area cm <sup>2</sup>	Advance	14.5		44.2		70.8			103.8		132.7		
	Retract	4.9		20.4		20.6			33		61.8		
Oil Capacity Cm <sup>3</sup>	Advance	369	443	923.8	1626.6	1104.5	2364.7	3617.9	1619.3	3456.5	2229.4	4418.9	6104.2
	Retract	124.5	149.5	426.4	769	321.4	688	1052.7	514.8	1098.9	1038.2	2057.9	2842.8
Collapsed Height A mm		409	457	387	546	331	509	733	347	525	357	524	687
Extended Height B mm		663	762	596	914	487	843	1244	503	858	525	857	1147
Collar Thread C		2 1/4"-14		3 5/16"-12		5"-12			5 3/4"-12		6 7/8"-12		
Outside Diametre D mm		73		102		127			146		177		
Piston Rod Diametre F mm		35		55		80			80		95		
Bolt Centres U mm		-	-	-	-	-	-	-	76		139		
Thread v		-	-	-	-	-	-	1/2"-13	-	-	3/4"-10	-	-
Weight kg		12	14	18	29	30	52	68	41	68	61	93	117

Capacity @ 700 bar tonne		150				200		300
Stroke mm		57	156	333	815	152	330	153
Product Code		PDC1502	PDC1506	PDC15013	PDC15032	PDC2006	PDC20013	PDC3006
Max Cylinder Capacity tonne	Advance	150				200		300
	Retract	68				98		164
Cylinder Effective Area cm <sup>2</sup>	Advance	201				283.4		452.2
	Retract	97.1				140.3		238.4
Oil Capacity cm <sup>3</sup>	Advance	1145.7	3135.6	6693.3	16382	5526.3	11998	6918.7
	Retract	553.5	1514.8	3233.4	7913.7	2132.6	4629.9	3647.5
Collapsed Height A mm		196	385	582	1116	430	608	485
Extended Height B mm		253	541	915	1931	582	938	638
Collar Thread C		8"-12				9 3/4"-12		12 1/4"-12
Outside Diametre D mm		204				247		311
Piston Rod Diametre F mm		115				135		165
Bolt Centres U mm		-	158	158	-	127	127	158
Thread V		-	3/4"-16		-	1"-8		1 1/4"-7
Weight kg		49	93	124	238	147	199	200

The information contained in this brochure is to be used as a guide only, specifications are subject to change without notice.