

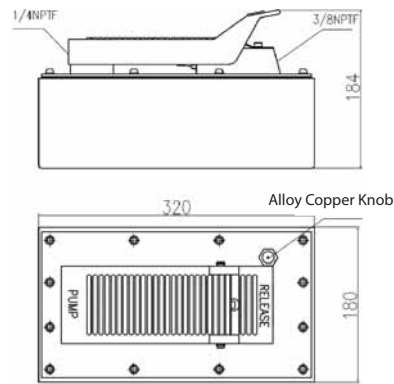
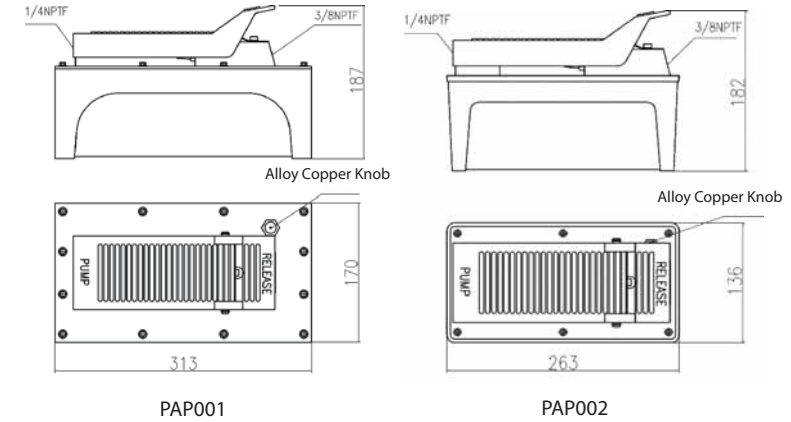
Features

1. Can be used with a variety of hydraulic equipment
2. Air exhaust muffler for quiet operation
3. Air pressure 0.6 - 1.0 Mpa
4. Internal load limiting device
5. Input port thread 1/4" Output 3/8"
6. Various sizes and materials available
7. Reservoir ventilation valves with superior operation and protection

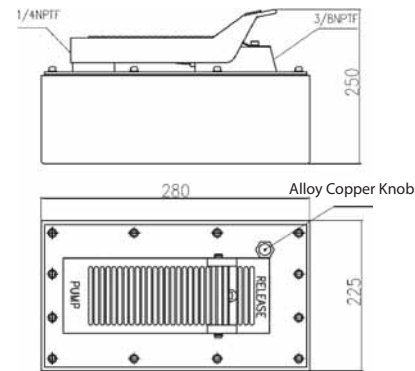


PAP Specifications

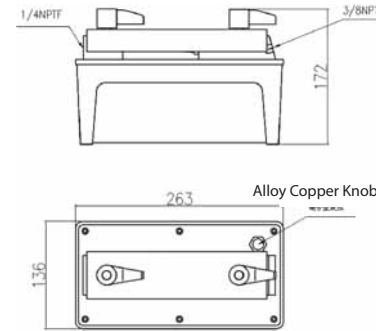
Product Code	PAP001	PAP002	PAP003	PAP004	PAP005	PAP006	PAP007	PAP008
Pressure Rating bar (psi)	700 (10000)							
Air Source Pressure Mpa	0.6-1.0							
Effective Oil Capacity cm ³	2300	1600	4500	7200	1600			
Flow cm ³ /min	No Load 811							
	Load 124							
Reservoir Material	Engineering Plastic	Alloy Aluminium	Steel	Alloy Aluminium				
Operational Manner	Foot Pedal				Manual			Remote Control
Weight kg	11.7	8.6	12.7	16.3	9.5	9.5	9.5	11.3



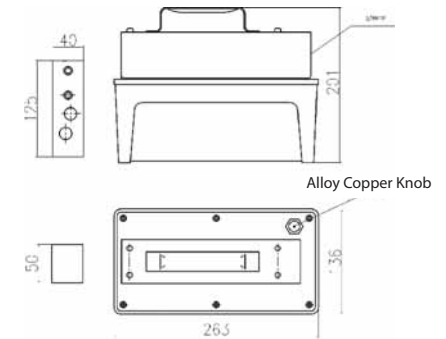
PAP003



PAP004



PAP005



PAP008

The information contained in this brochure is to be used as a guide only, specifications are subject to change without notice.